

STATE OF ARKANSAS
STATE HIGHWAY DEPARTMENT

FISCAL YEAR	JOB NO.	SHEET NO.	TOTAL SHEETS
1928	860	1	

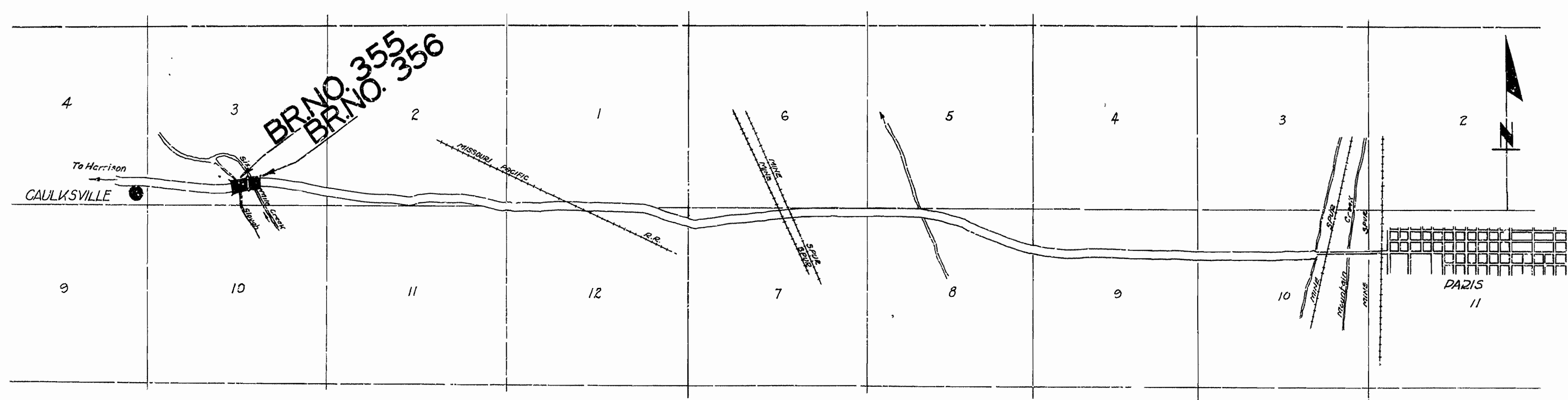
PLAN OF PROPOSED BRIDGES
OVER
SIX MILE CREEK
LOGAN COUNTY

ROUTE 22 SEC. 3
JOB No 860
FEDERAL AID PROJECT No.

INDEX OF SHEETS

SHEET NO.	DRAW. NO.	Title Sheet
1	820	Title Sheet
2	821	Layout Br. No. 355
3	822	Superstructure Details Br. No. 355
4	823	Substructure " " " 355
5	824	Layout Br. No. 356
6	825	Approach Details " " 356
7	826	Pier Details " " 356
8	827	Abutment Details " " 356
9	179	Standard 35' R.C.D. Span
10	93	Standard 80' Pony Truss
11		Profile Sheet
12		Typical Cross Section 30' Roadway

ITEM NO.	QUANTITIES
13	Dry Excavation For Structures 517 Cu. Yds.
13	Wet " " 869 " "
13	Solid Rock Excav " " 54 " "
17	Borrow " " 13913 " "
54	Class "A" Concrete 360.71 " "
54	" "S" 549.29 " "
55	Reinforcing Steel 180485 Lbs.
56	Structural Steel in Truss Bridge 61600 "
69	Rip Rap 1' Thick 1464 Sq. Yds.
74	Concrete Railing for Structures 8808 Lin. Ft.



LAYOUT
Scale: 1" = 2000'

GROSS LENGTH OF PROJECT 1056'-0" = 0.200 Miles.
NET LENGTH OF PROJECT

APPROVED
COMMISSIONER - STATE LANDS HIGHWAYS AND IMPROVEMENTS

APPROVED
STATE HIGHWAY ENGINEER

RECOMMENDED FOR APPROVAL
DISTRICT ENGINEER - U. S. BUREAU OF PUBLIC ROADS

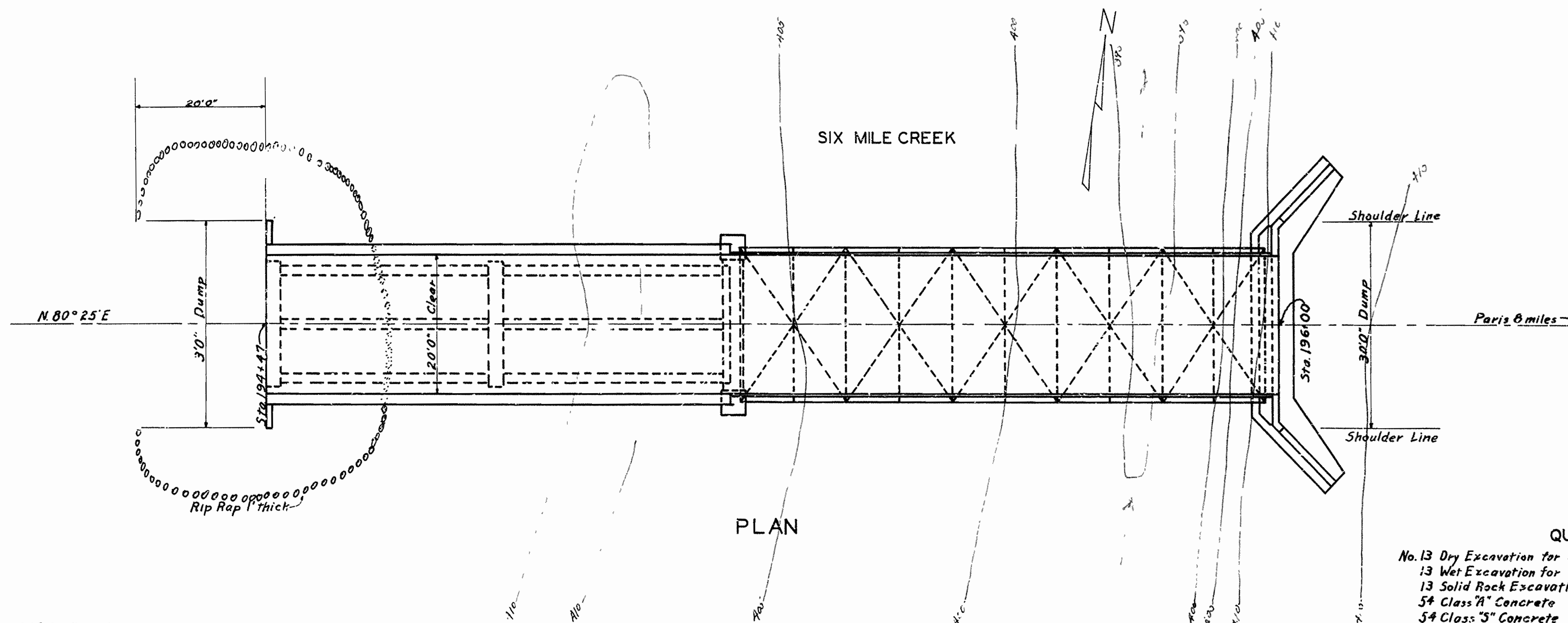
RECOMMENDED FOR APPROVAL
CHIEF ENGINEER - U. S. BUREAU OF PUBLIC ROADS

APPROVED
DIRECTOR - U. S. BUREAU OF PUBLIC ROADS

N. B. Lanier
BRIDGE ENGINEER

BRIDGE NO. 355-356 DRAWING NO. 820

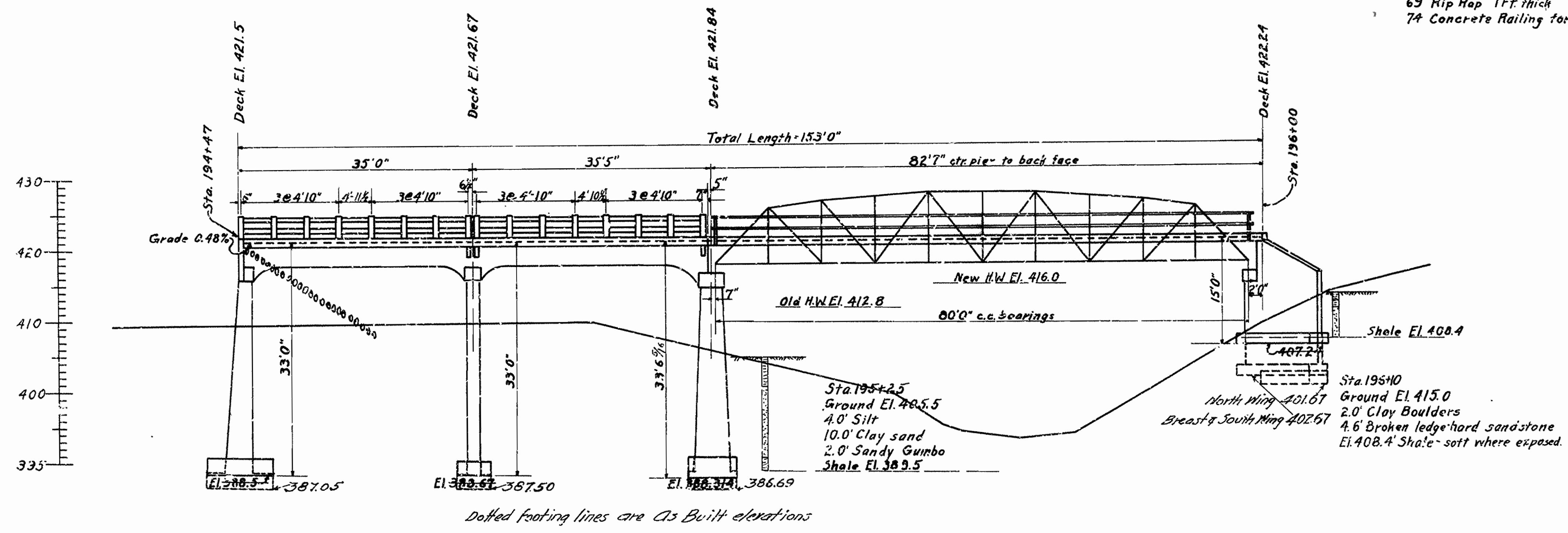
FISCAL YEAR	Job No.	SHEET NO.	TOTAL SHEETS
1928	660	5	



QUANTITIES

No. 13 Dry Excavation for Structures	176 Cu. Yd.
13 Wet Excavation for Structures	330 Cu. Yd.
13 Solid Rock Excavation for Structures	31 Cu. Yd.
54 Class "A" Concrete	177.02 Cu. Yd.
54 Class "S" Concrete	136.64 Cu. Yd.
55 Reinforcing Steel	43,120 Lb.
56 Struc. Steel in Truss Bridges	61,600 Lb.
69 Rip Rap 1 Ft. thick	110 Sq. Yd.
74 Concrete Railing for Structures	147 Lin. Ft.

NOTE
See Drawgs. No. 93, 179, 825, 826, * 827 for Details.



B.M. Spike in 10" Forked Locust
90° Rt. Sta 196+00 Elev. 411.74
Drainage Area 108.0 Sq. miles.

ELEVATION

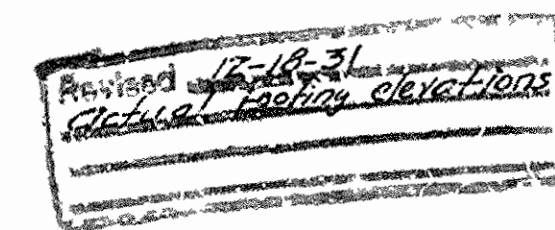
LAYOUT

SIX MILE CREEK LOGAN CO
ROUTE 22 SEC. 3
ARKANSAS STATE HIGHWAY DEPARTMENT
LITTLE ROCK, ARK.

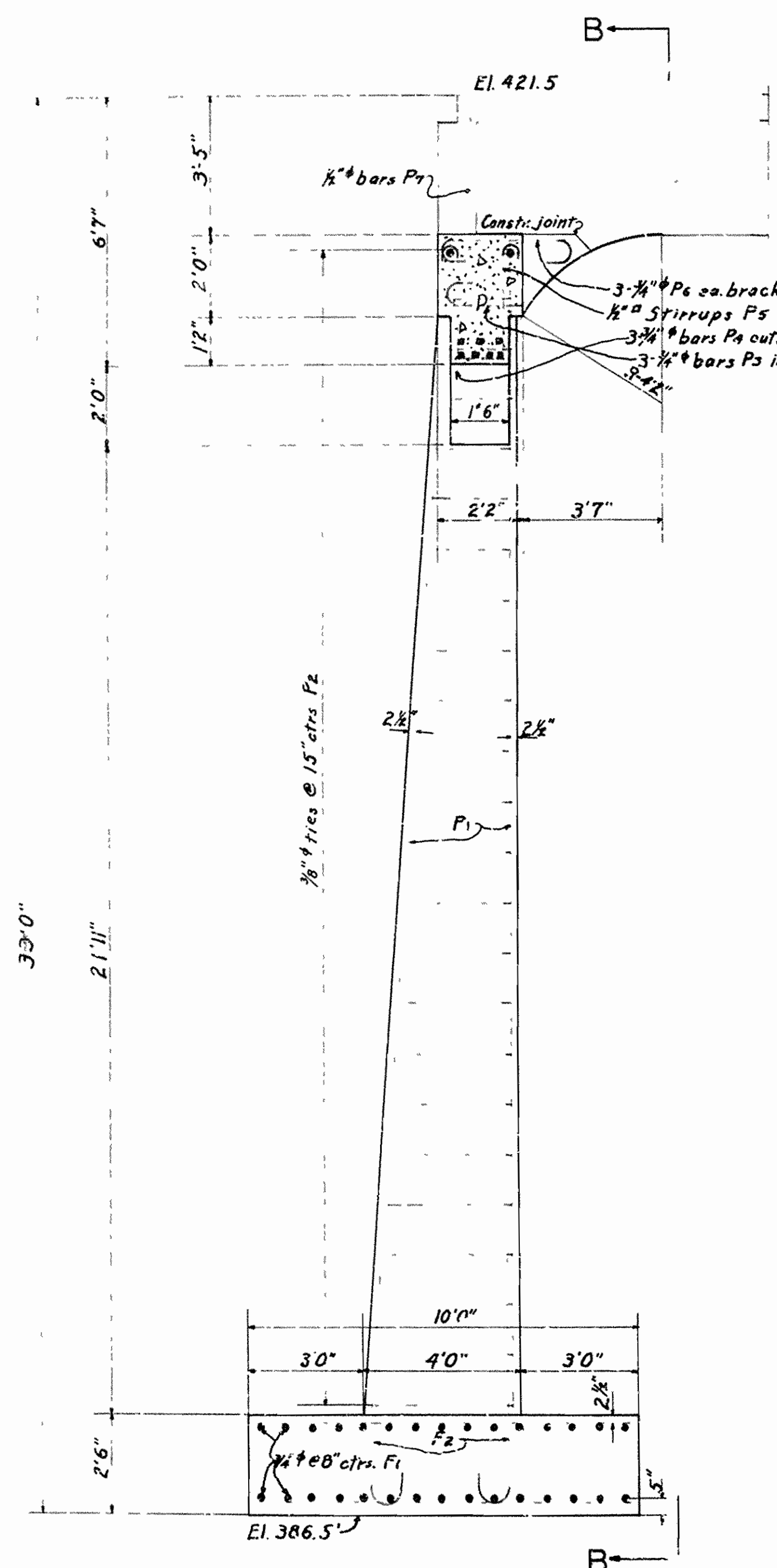
Drawn By: F.P.B. Date: _____
Traced By: " " Date: 5/19/28
Checked By: " " Date: _____
Scale: 1/4" = 10' ft.

BRIDGE ENGINEER

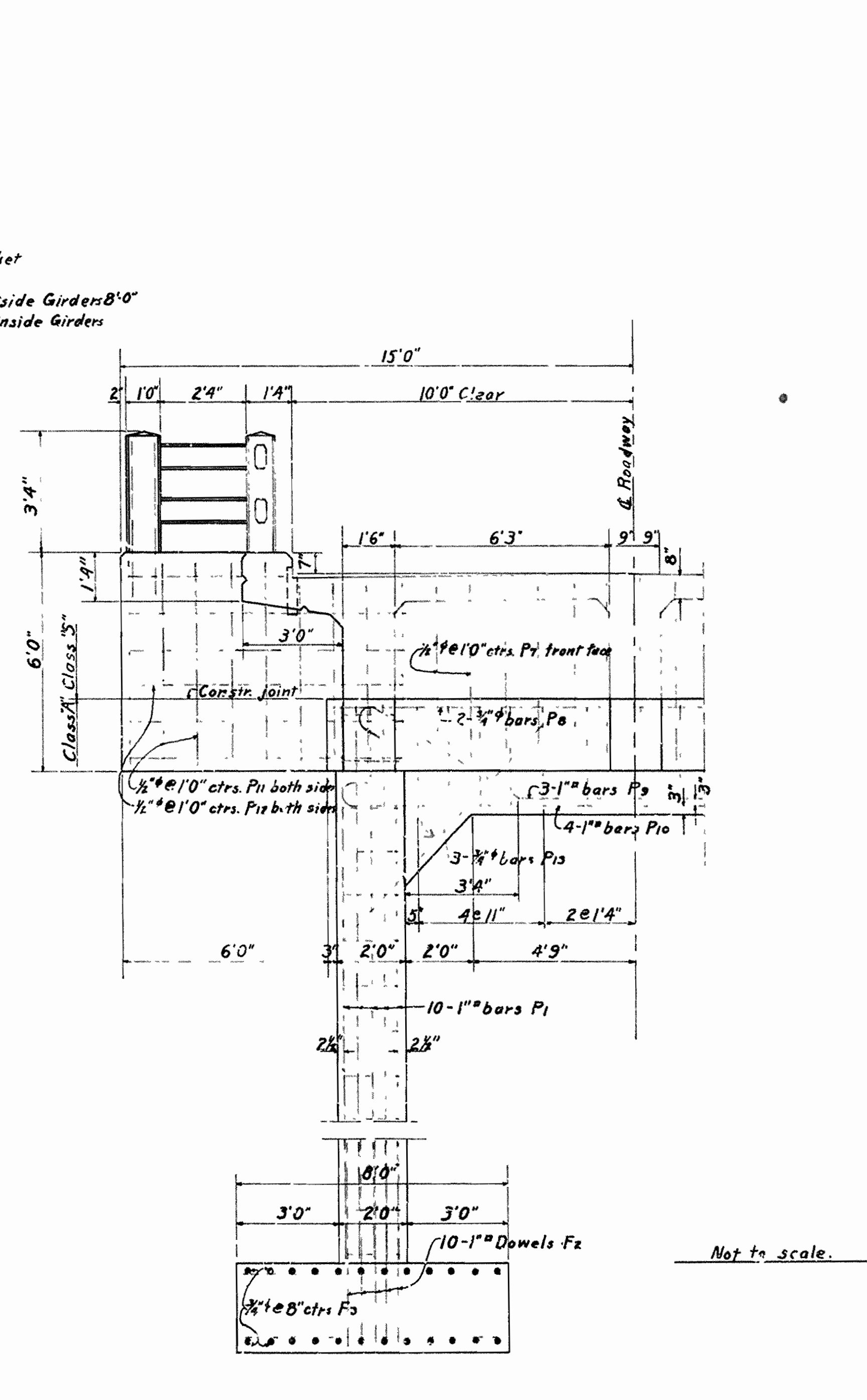
BRIDGE NO. 356 DRAWING NO. 824



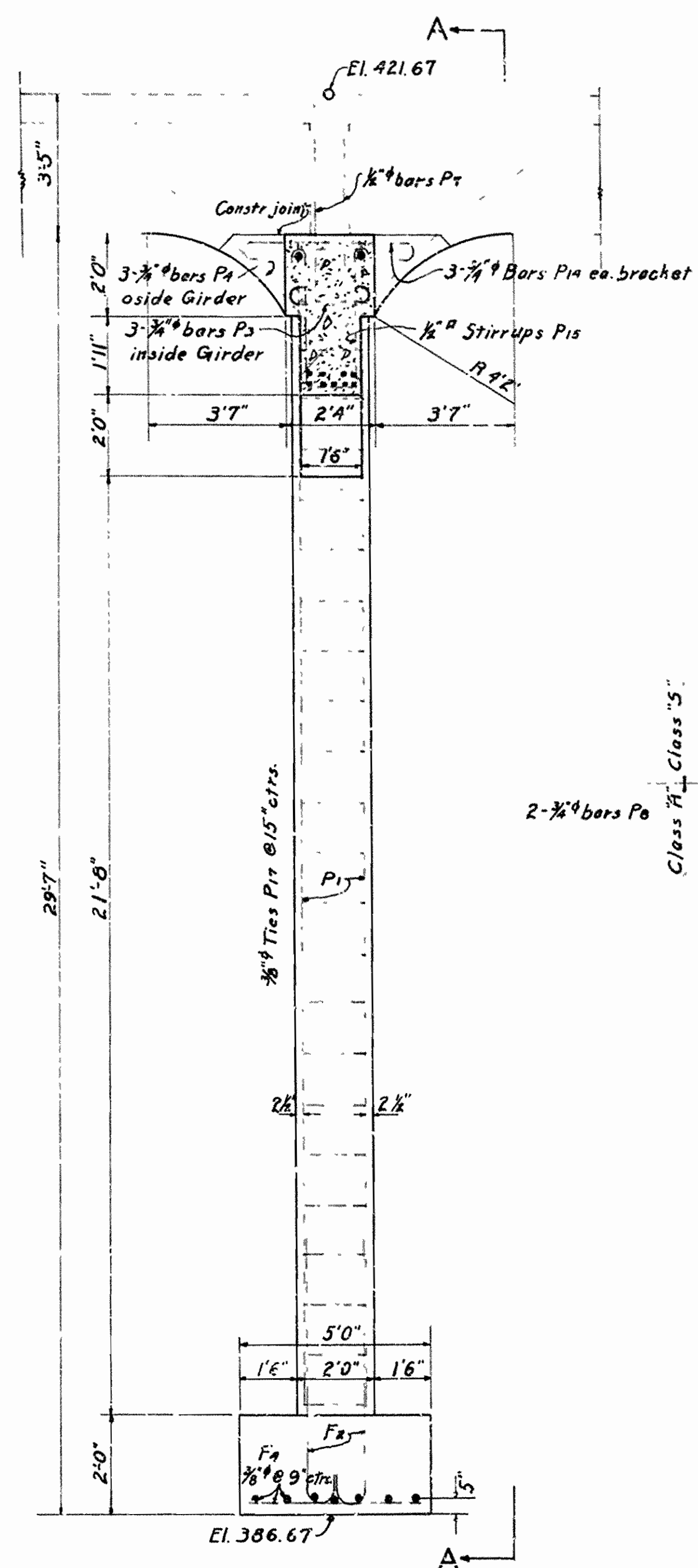
FISCAL YEAR	Job No	SHEET TOTAL
1928	860	6



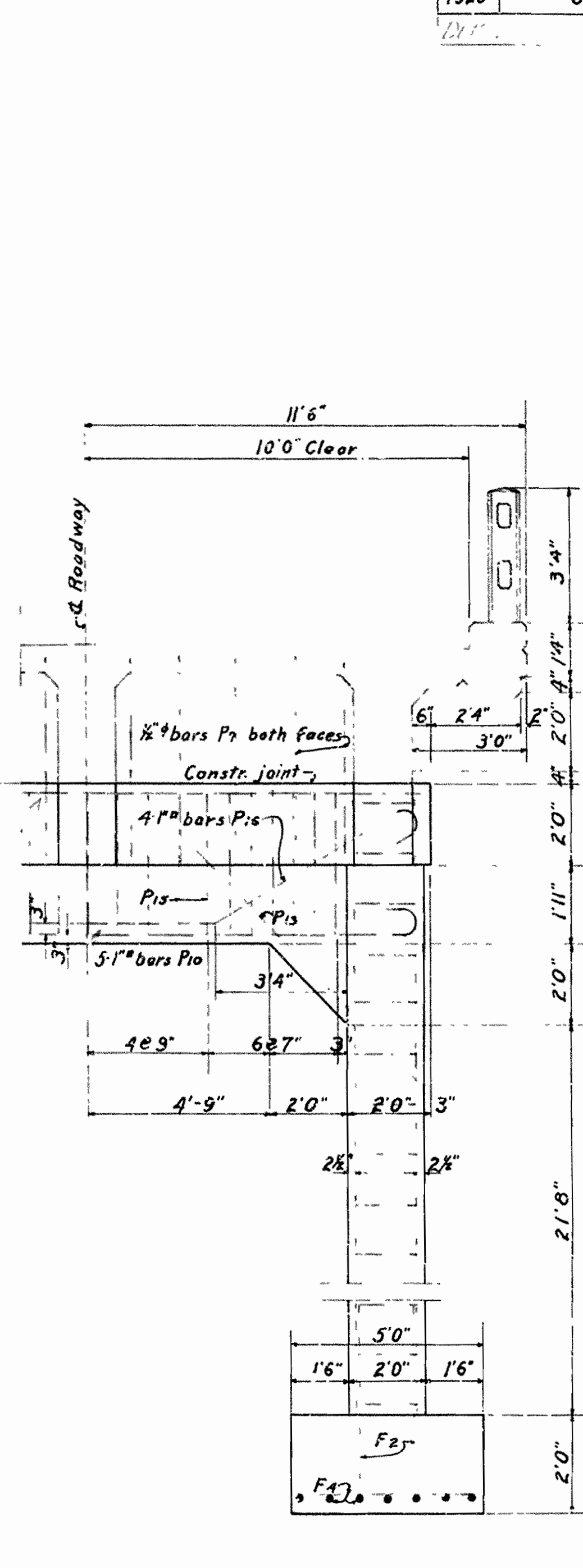
END BENT



HALF SECTION BB



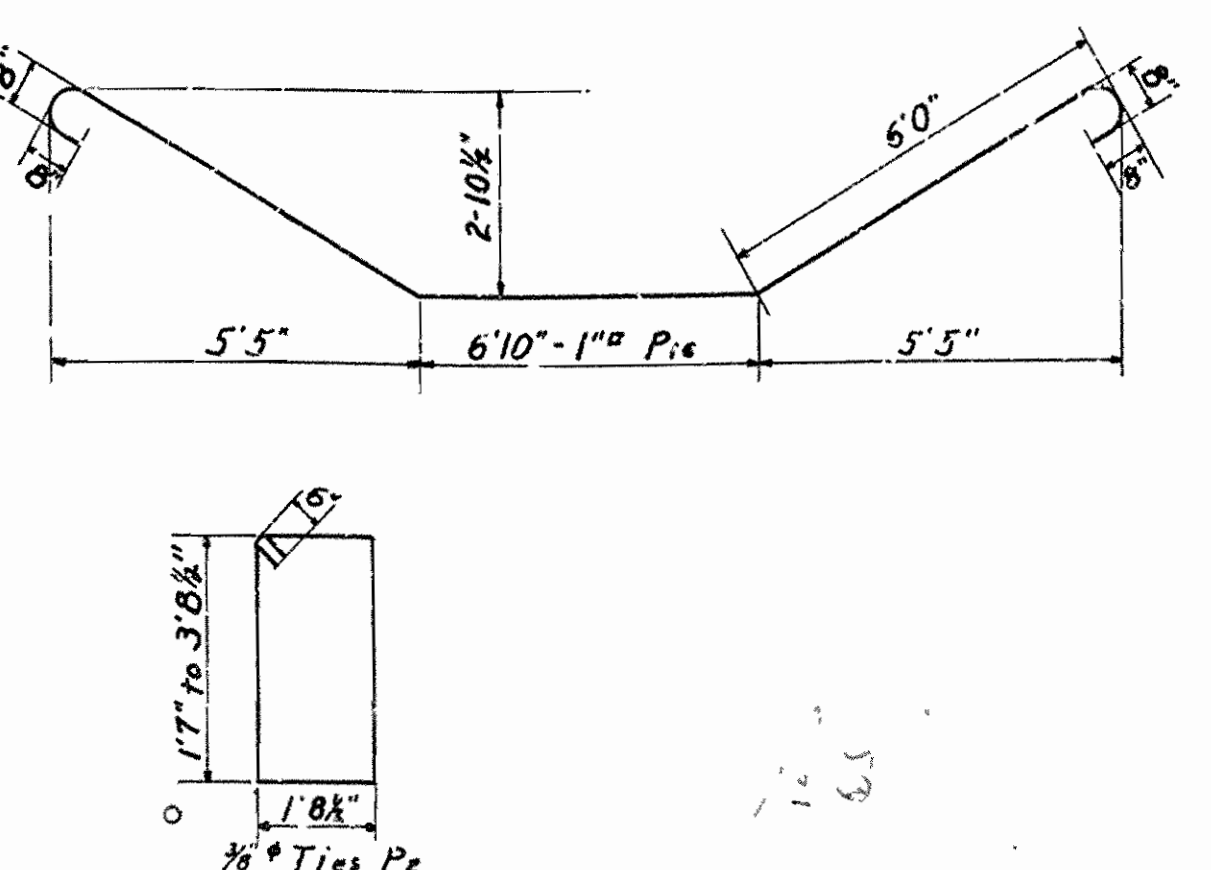
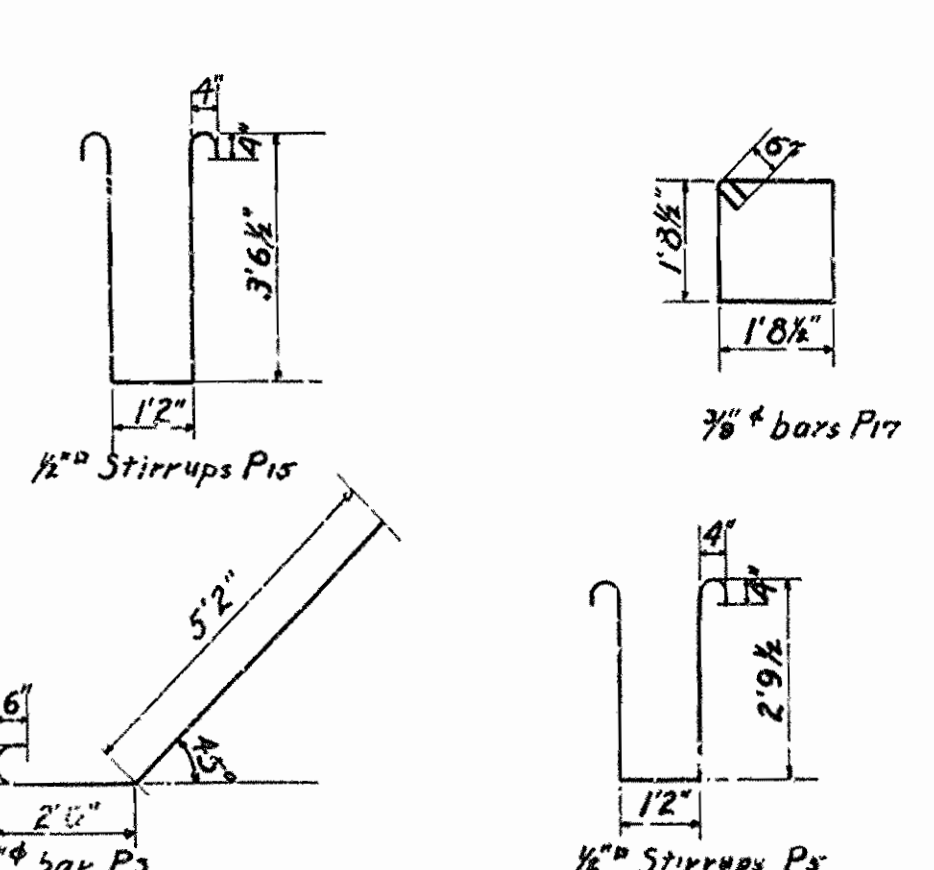
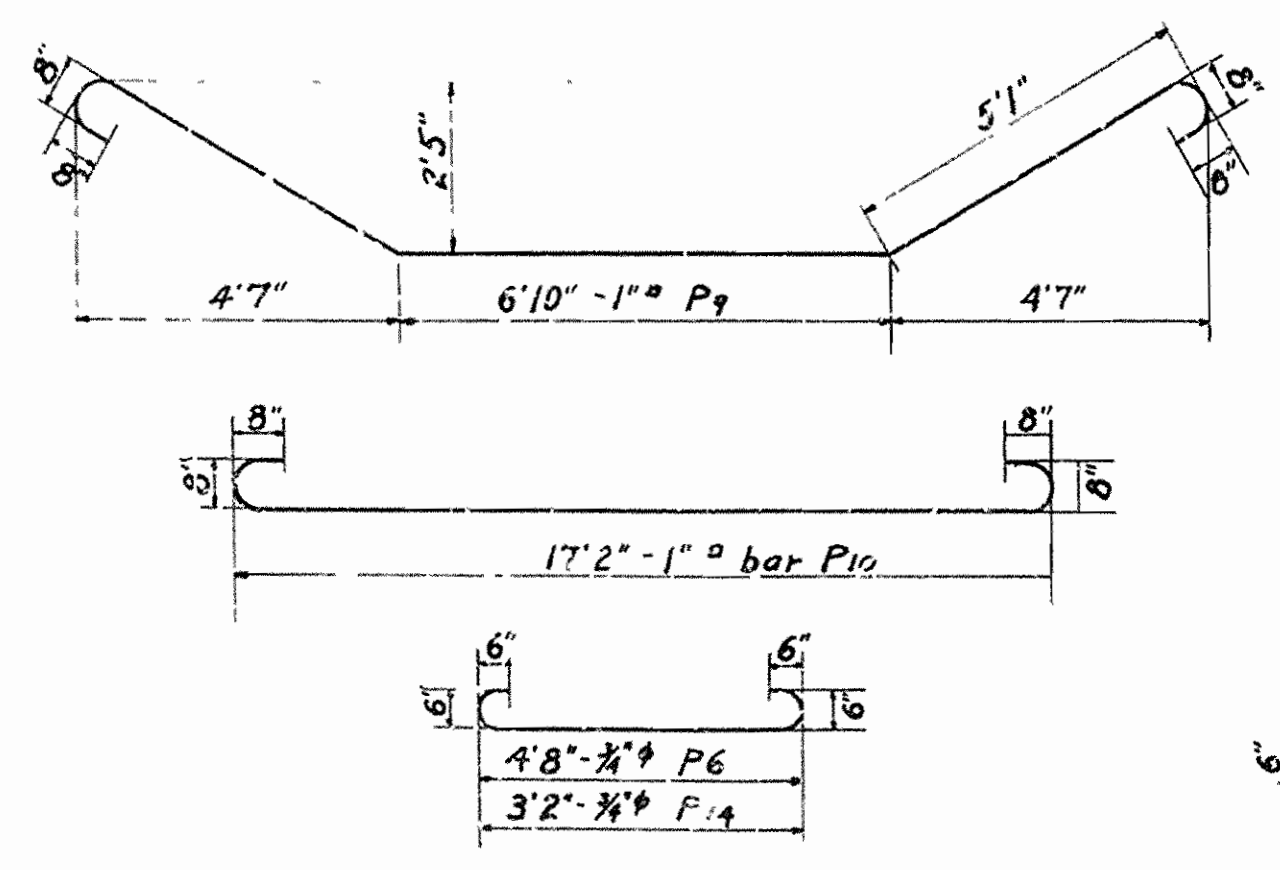
INT. BENT



HALF SECTION AA

Not to scale.

SEE DWG. NO. 179 FOR GIRDER DETAILS & GENERAL NOTES

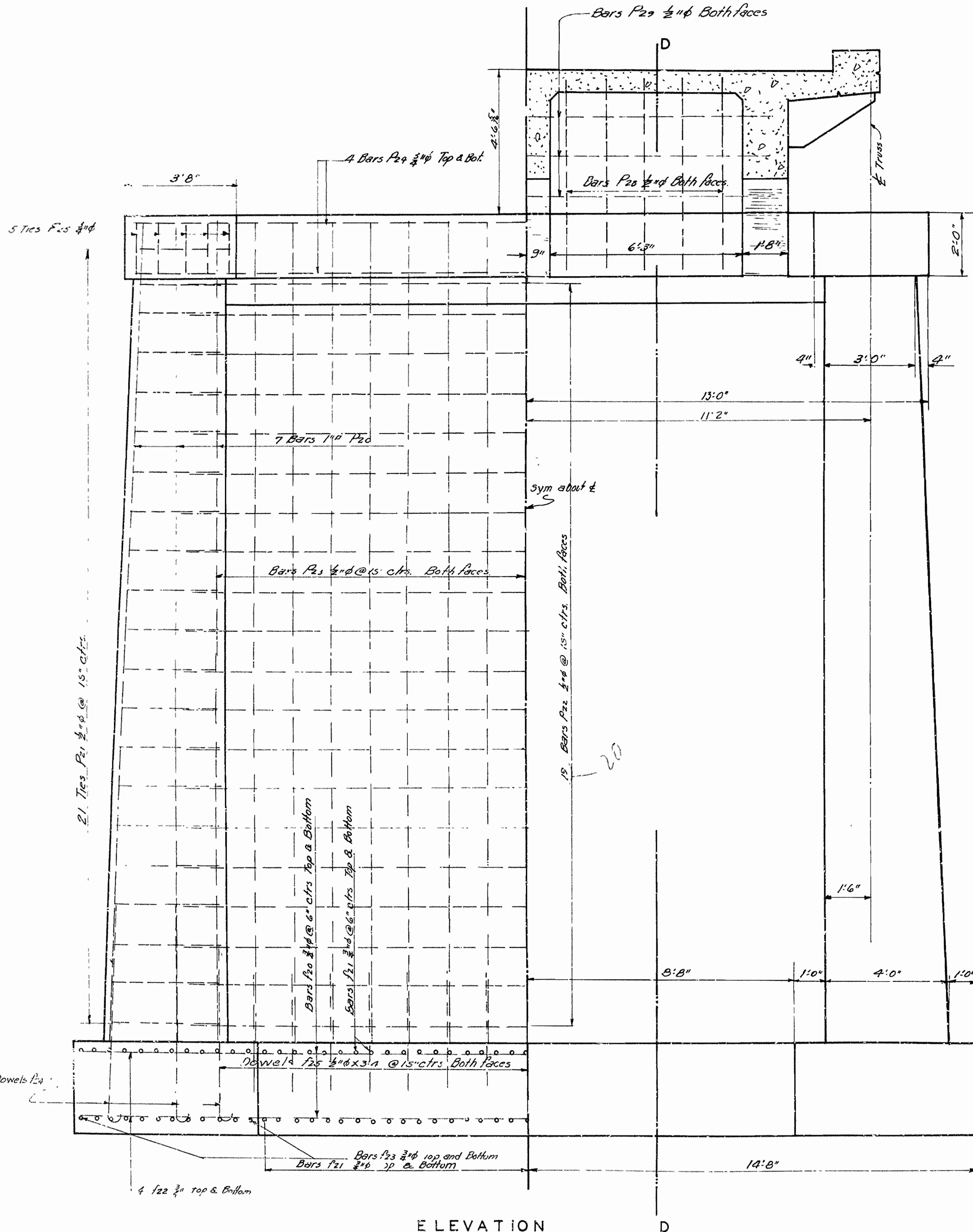


DETAILS OF BENTS
 SIX MILE CREEK LOGAN CO.
 ROUTE 22 SEC. 3
 ARKANSAS STATE HIGHWAY DEPARTMENT
 LITTLE ROCK, ARK.

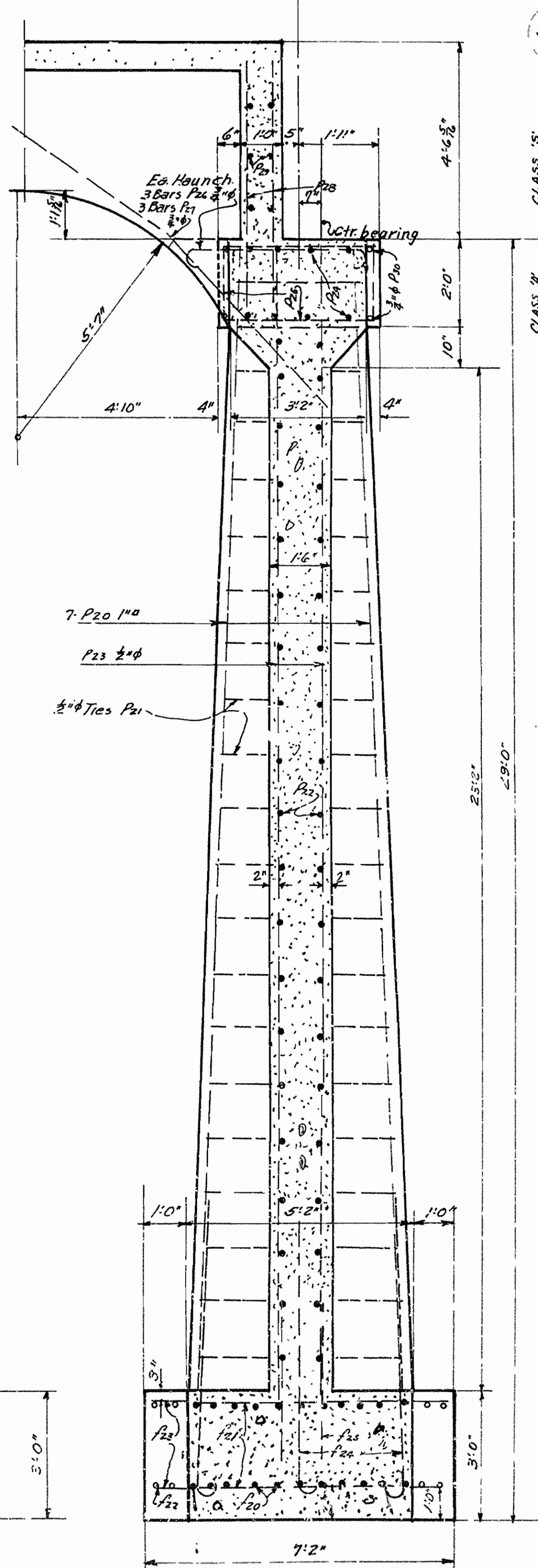
N.B. Sauer
 BRIDGE ENGINEER

Drawn By: *F.H.B.* Date: *5/19/28*
 Traced By: _____ Date: _____
 Checked By: _____ Date: _____
 BRIDGE NO. 356 Scale 3/8" = 1 ft.
 DRAWING NO. 825

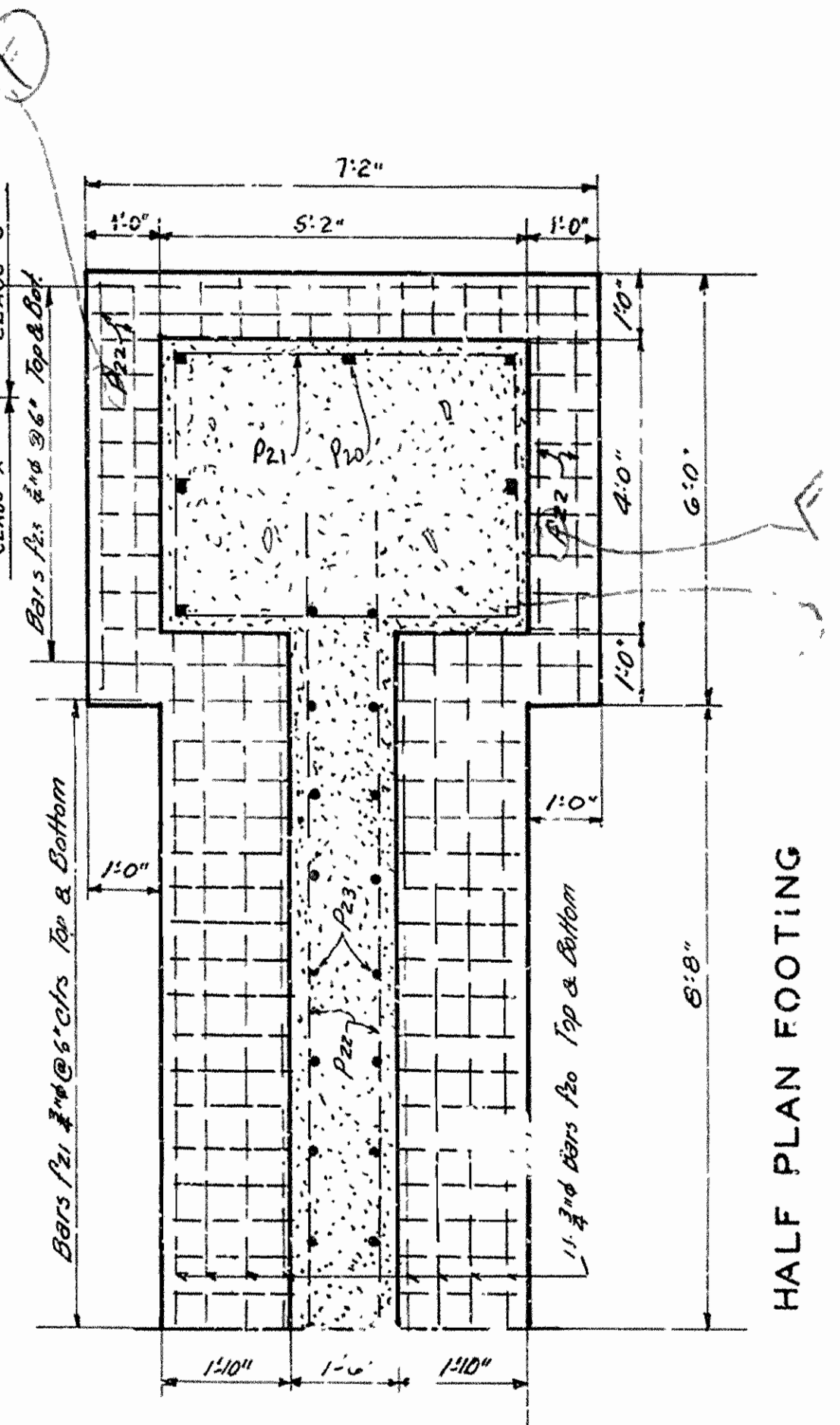
FISCAL YEAR	Job No	SHEET No	TOTAL SHEETS
1928	860	7	



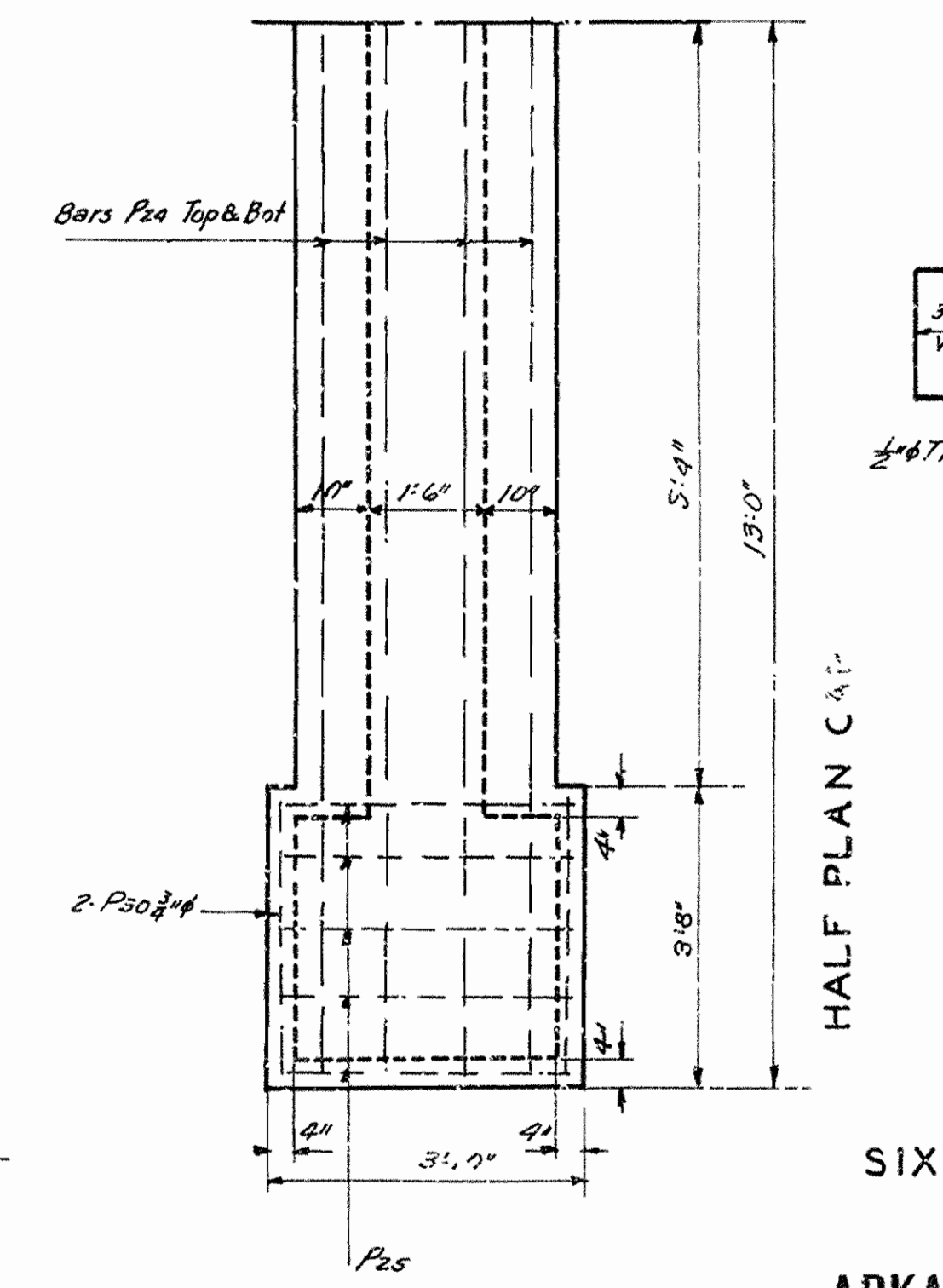
ELEVATION D



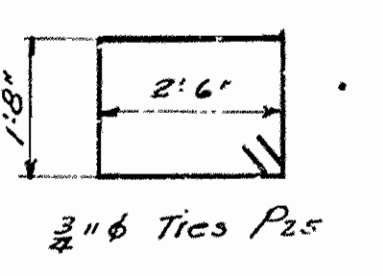
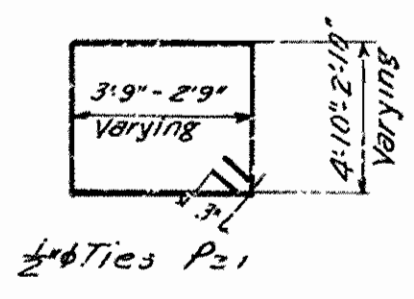
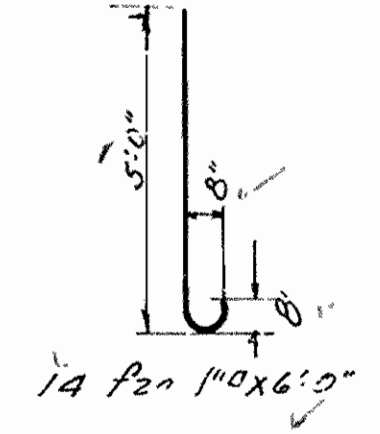
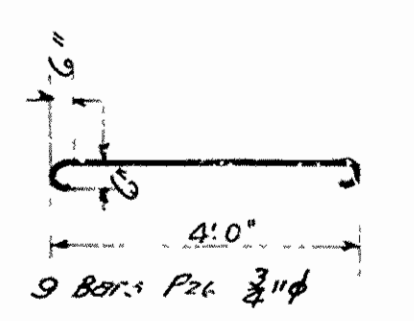
SECTION D-D



HALF PLAN FOOTING



HALF PLAN C-C



Revised Footing Dimension Corrected
 Date: May 23, 1928

PIER DETAILS

SIX MILE CREEK LOGAN COUNTY
 ROUTE 22 SEC. 3
 ARKANSAS STATE HIGHWAY DEPARTMENT
 LITTLE ROCK, ARK.

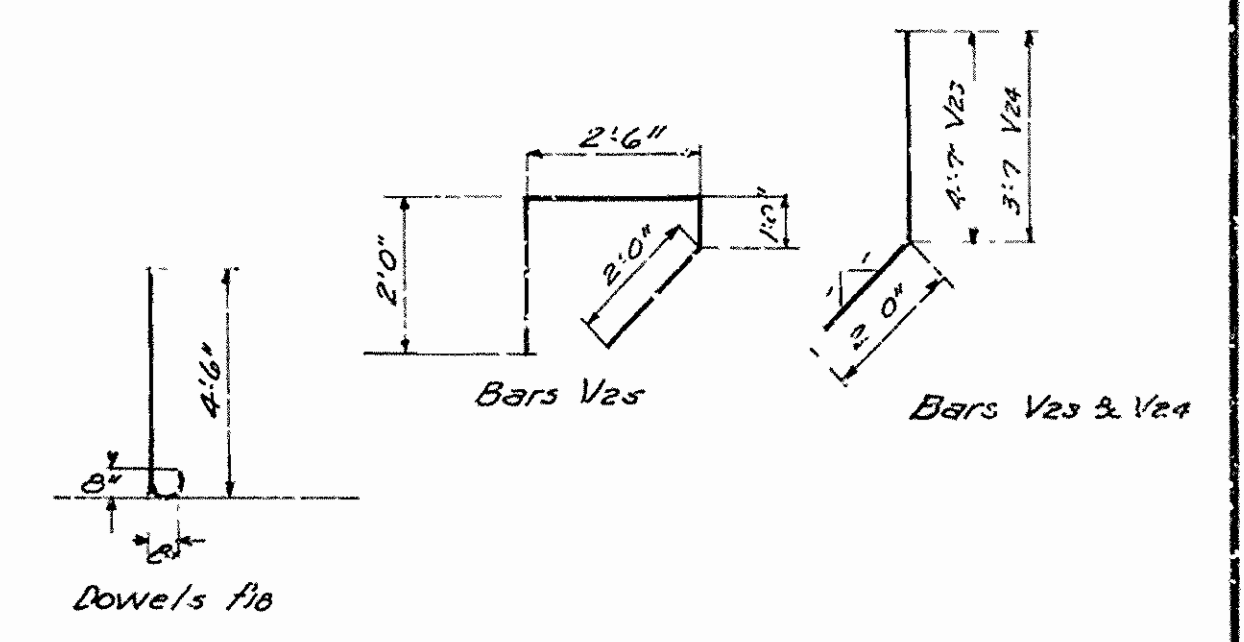
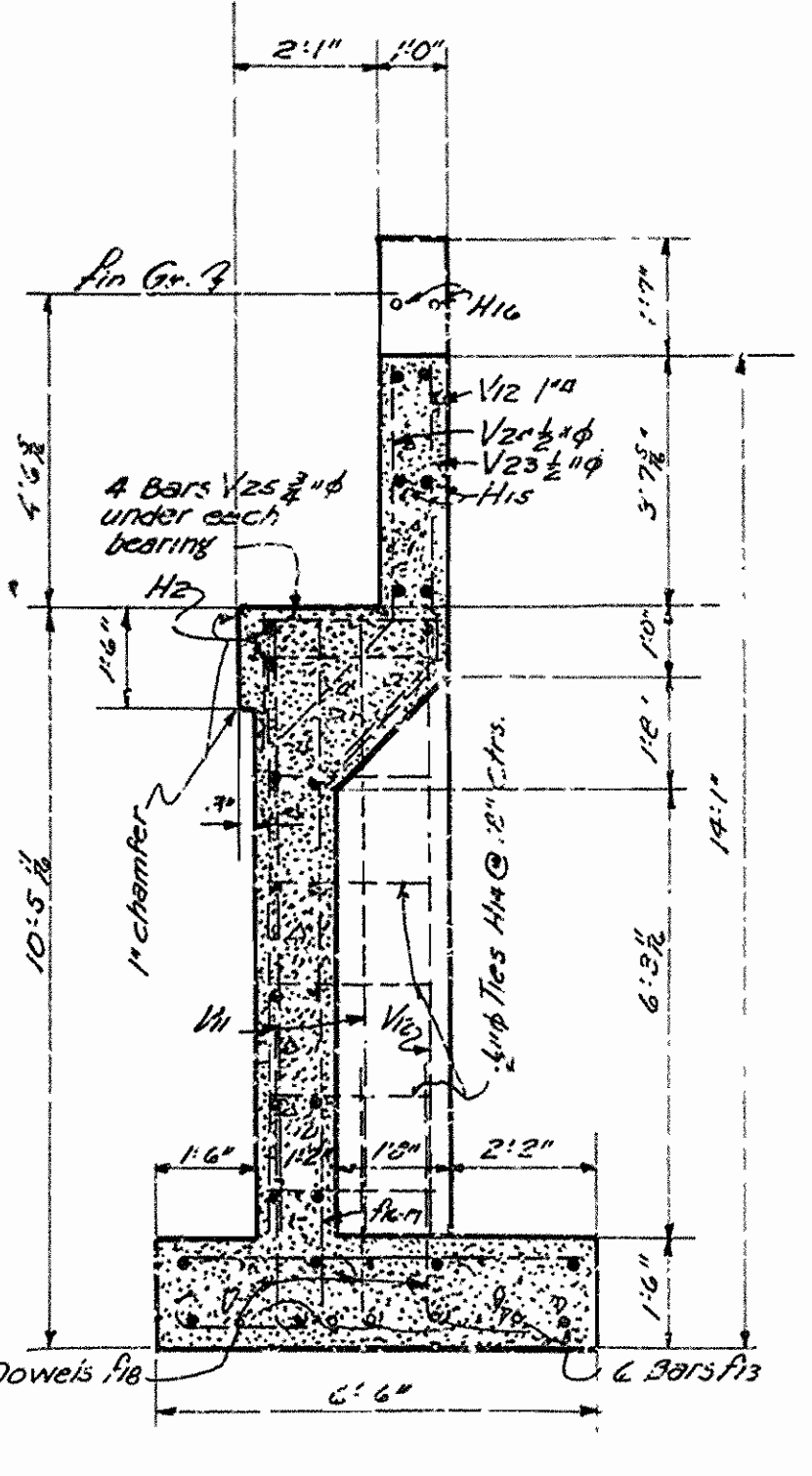
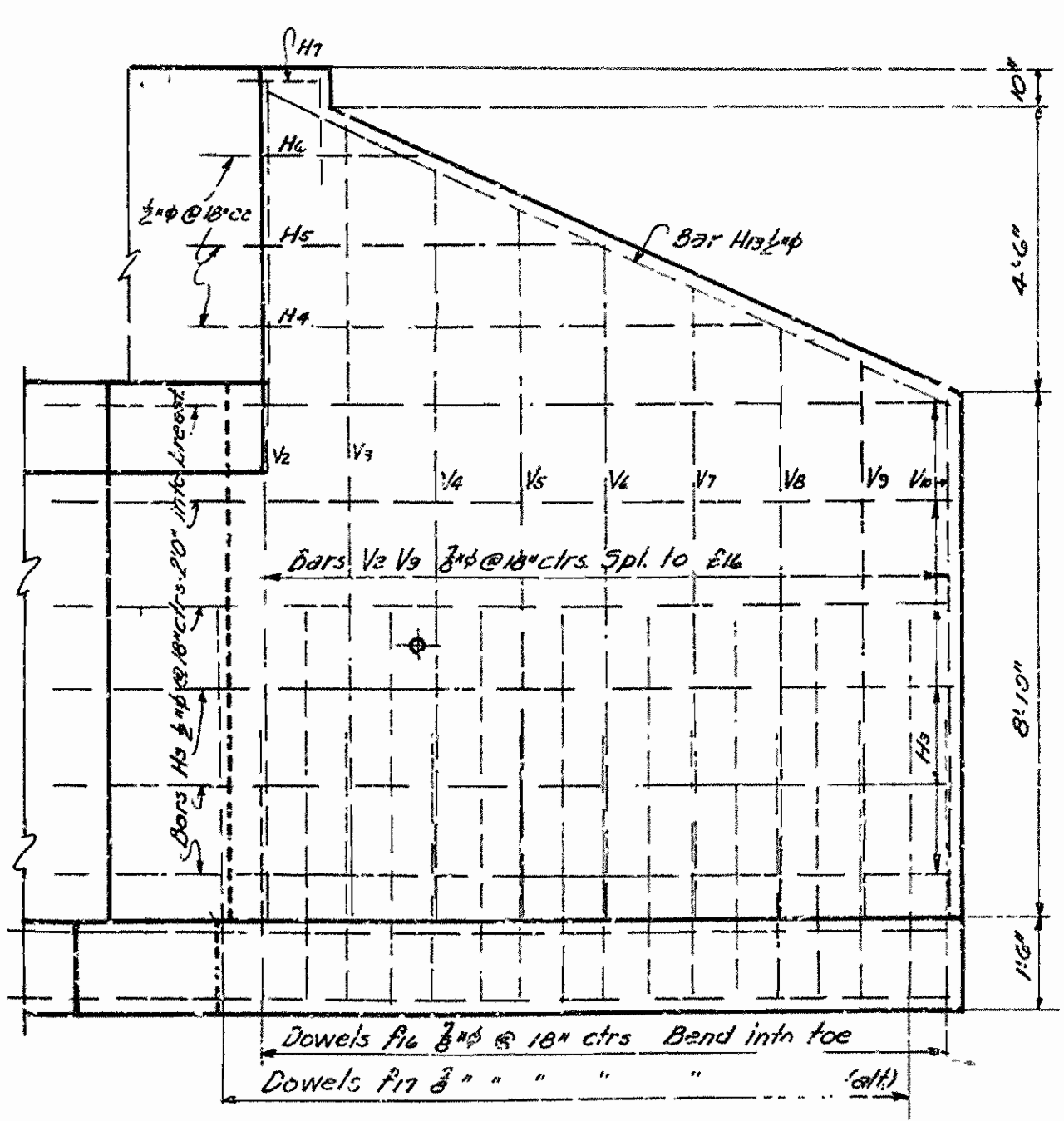
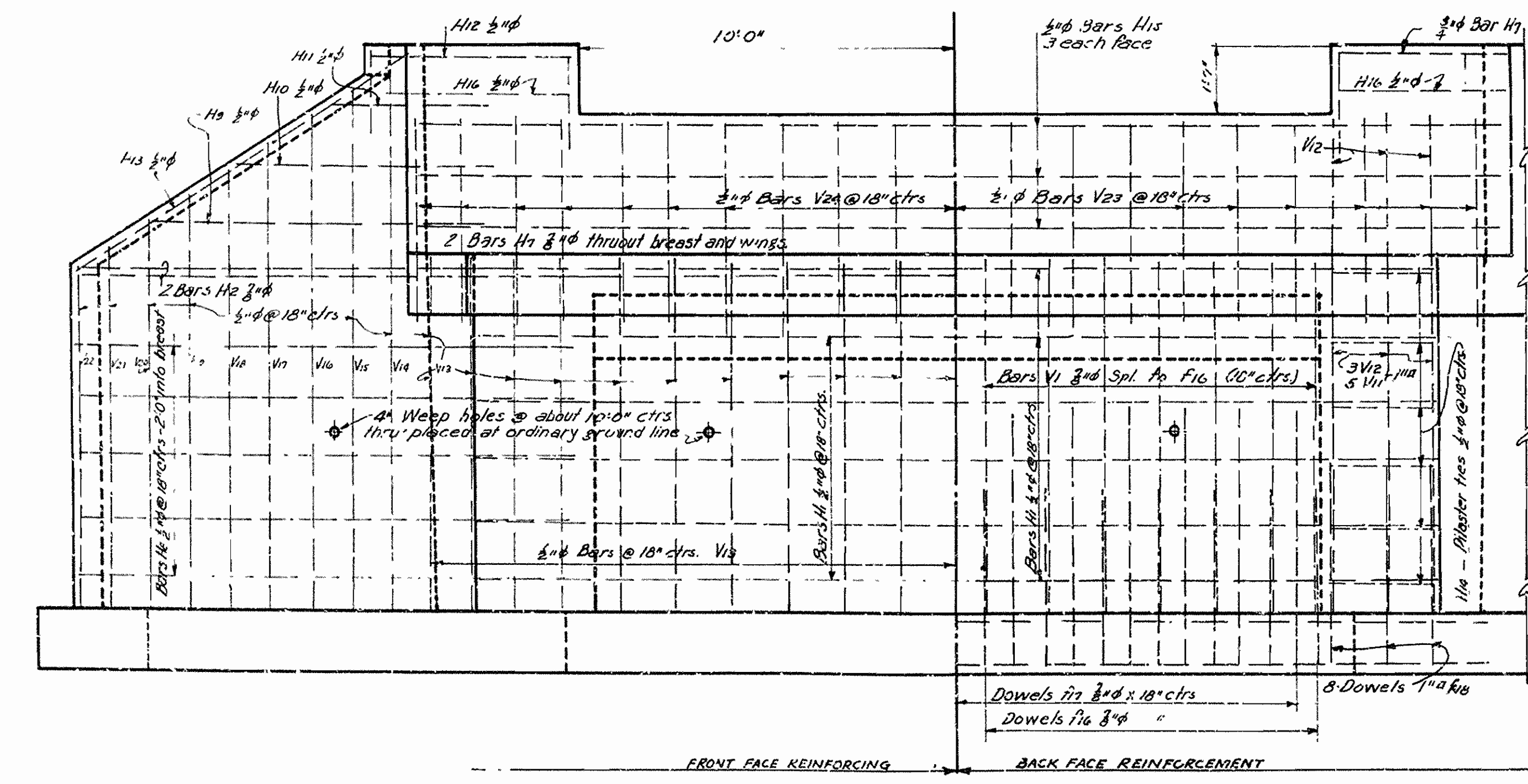
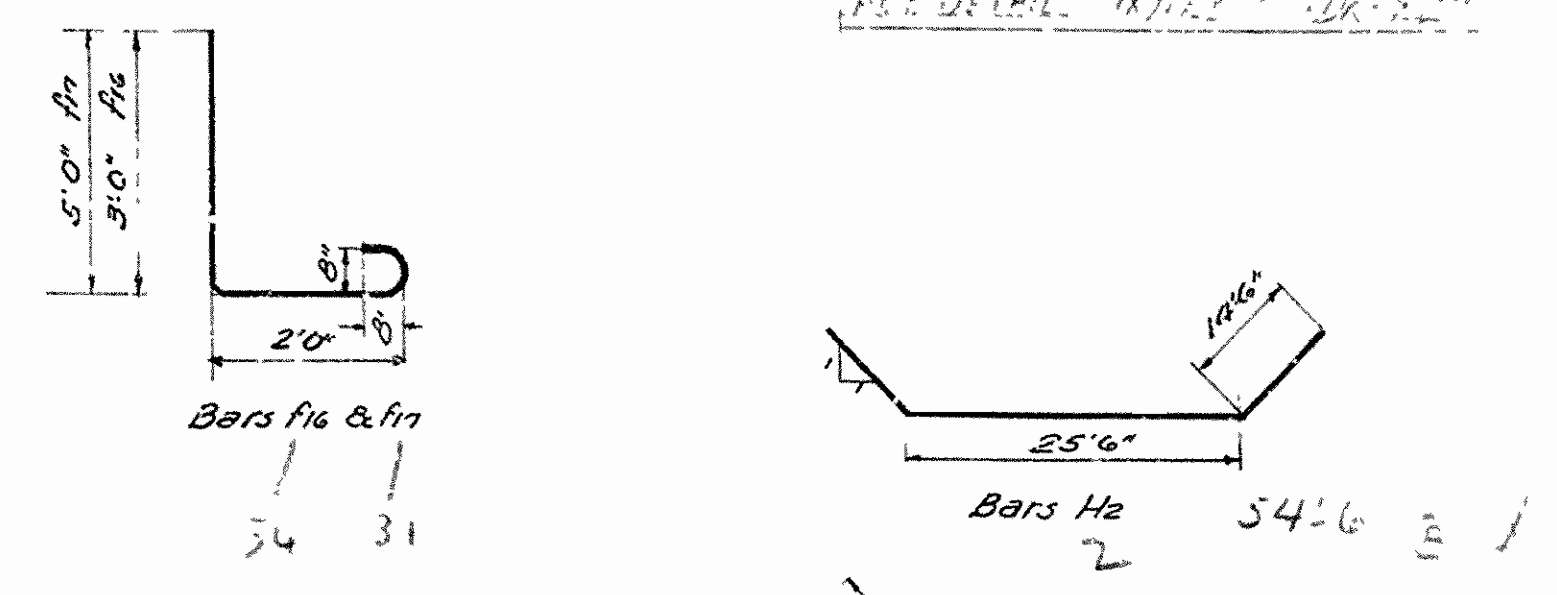
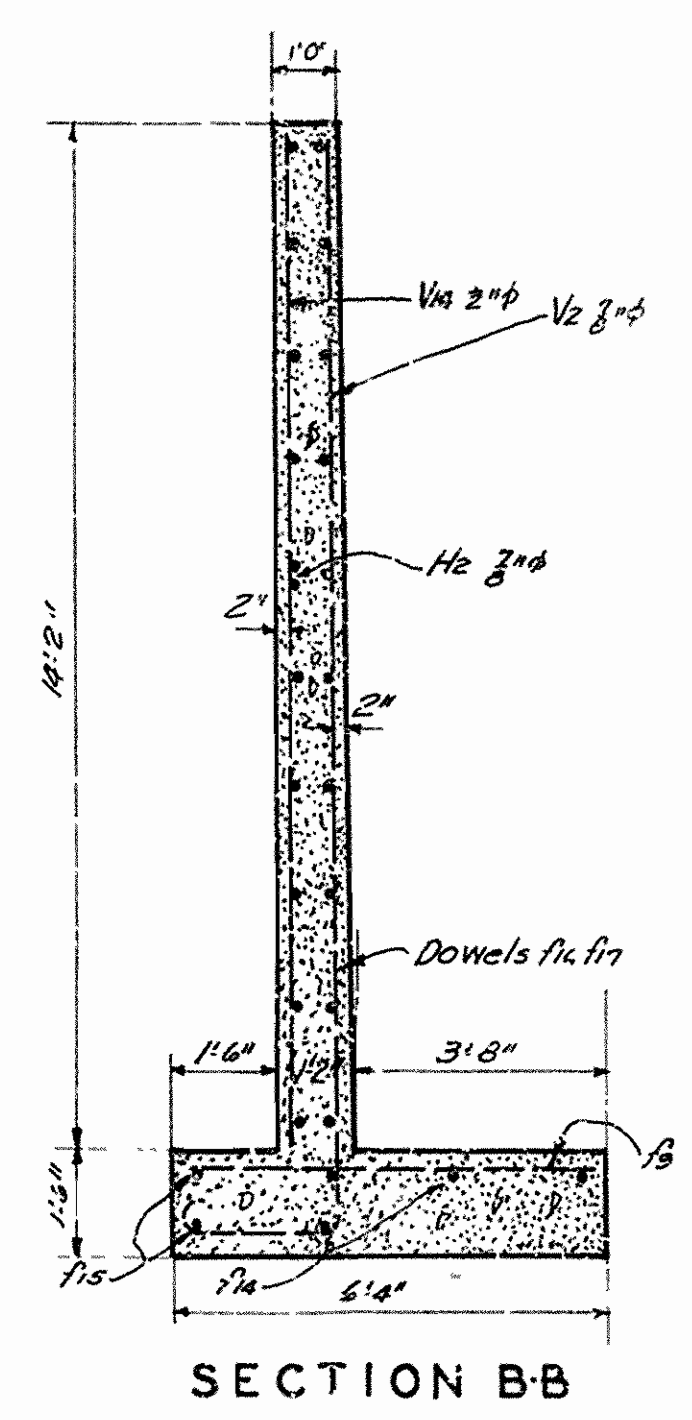
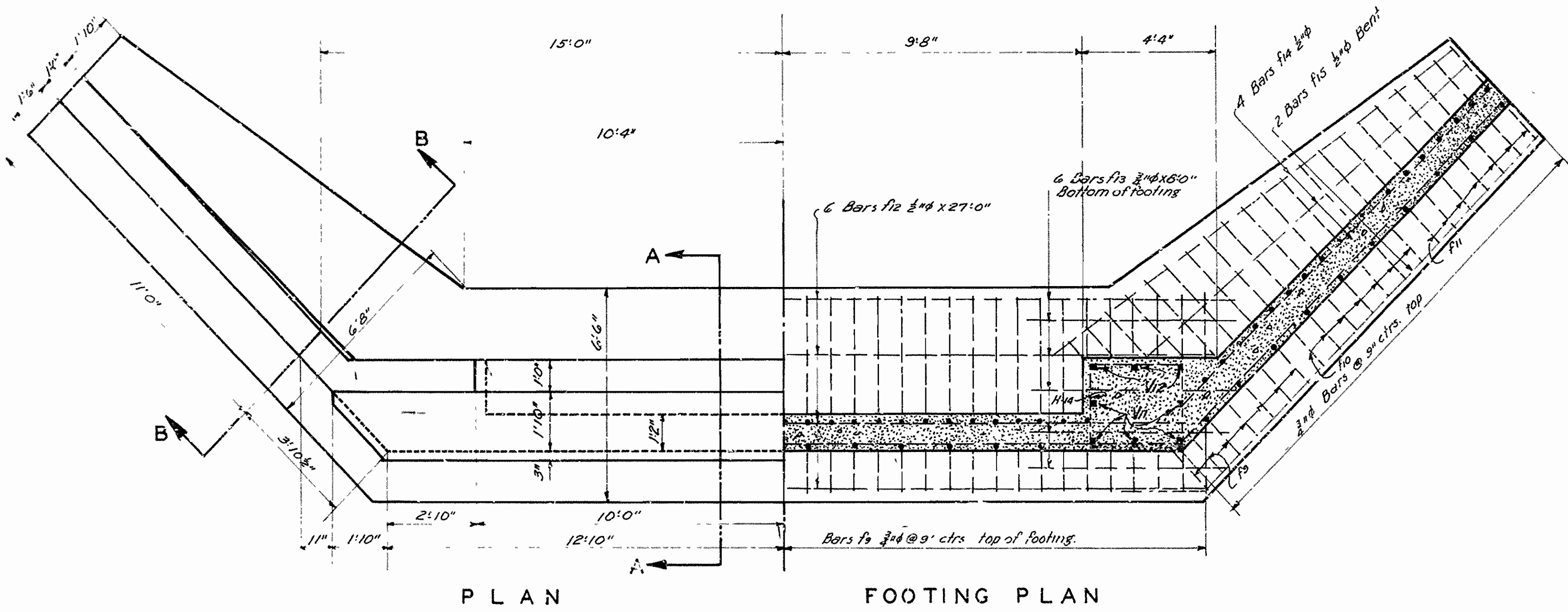
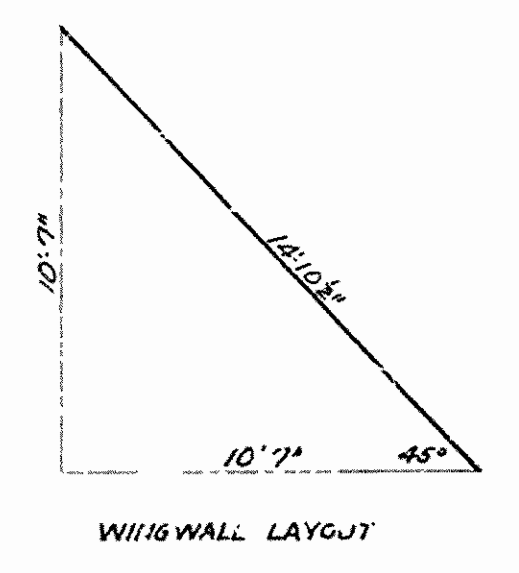
Drawn By: Beck Date: May 12, 28
 Traced By: _____ Date: _____
 Checked By: _____ Date: _____
 BRIDGE NO. 356 DRAWING NO. 826

M.B. Gamm
 BRIDGE ENGINEER

Scale: 1/2 in. = 1 ft.

FISCAL YEAR	Job No	SHEET NO	TOTAL SHEETS
1928	860	8	

REINFORCING STEEL								
BAR NO	SIZE	LENGTH	BAR NO	SIZE	LENGTH	BAR NO	SIZE	LENGTH
F5	5/8"	6'0"	H8	1/2"	6'9"	V8	2"	10'0"
F10	1/2"	4'9"	H9	2"	11'6"	V10	2"	9'6"
F11	1/4"	3'9"	H10	2"	8'3"	V11	10'1"	8'9"
F12	6/16"	27'10"	H11	2"	2'9"	V12	6/16"	14'0"
F13	3/4"	8'0"	H12	2"	11'6"	V13	1/2"	8'9"
F14	3/4"	16'0"	H13	4"	13'0"	V14	2"	14'0"
F15	1/2"	17'10"	H14	1/2"	3'6"	V15	2"	13'0"
F16	3/4"	19'0"	H15	6"	28'0"	V16	2"	12'6"
F17	3/4"	6'0"	H16	5"	4'6"	V17	2"	12'0"
F18	8/16"	5'6"	H17	2"	11'6"	V18	2"	11'6"
H1	1/2"	25'3"	V1	1/2"	8'9"	V19	2"	11'0"
H2	2"	24'6"	V2	2"	14'0"	V20	2"	10'0"
H3	12/16"	19'0"	V3	2"	13'0"	V21	2"	9'6"
H4	2"	12'6"	V4	2"	12'6"	V22	2"	9'6"
H5	2"	9'6"	V5	2"	12'0"	V23	1/2"	5'7"
H6	2"	6'0"	V6	2"	11'6"	V24	1/2"	5'7"
H7	2"	7'0"	V7	2"	10'6"	V25	2"	8'6"



ELEVATION

SECTION A-A

BENDING DETAILS

ABUTMENT DETAILS

SIX MILE CREEK—LOGAN COUNTY
 ROUTE 22 SEC. 3rd
 ARKANSAS STATE HIGHWAY DEPARTMENT
 LITTLE ROCK, ARK.

M.B. Swann
 BRIDGE ENGINEER

Drawn By: Beck Date: May 9, 1928
 Traced By: _____ Date: _____
 Checked By: _____ Date: _____
 BRIDGE NO. 356 DRAWING NO. 827